



Permitted Factory 600 Venting

These venting templates are for the 2019 thru 2021 Axys Indy XCR & XC vehicles only. No deviation from these template locations/hole size is allowed. To download the venting templates visit the Polaris Snowmobile Racing website at

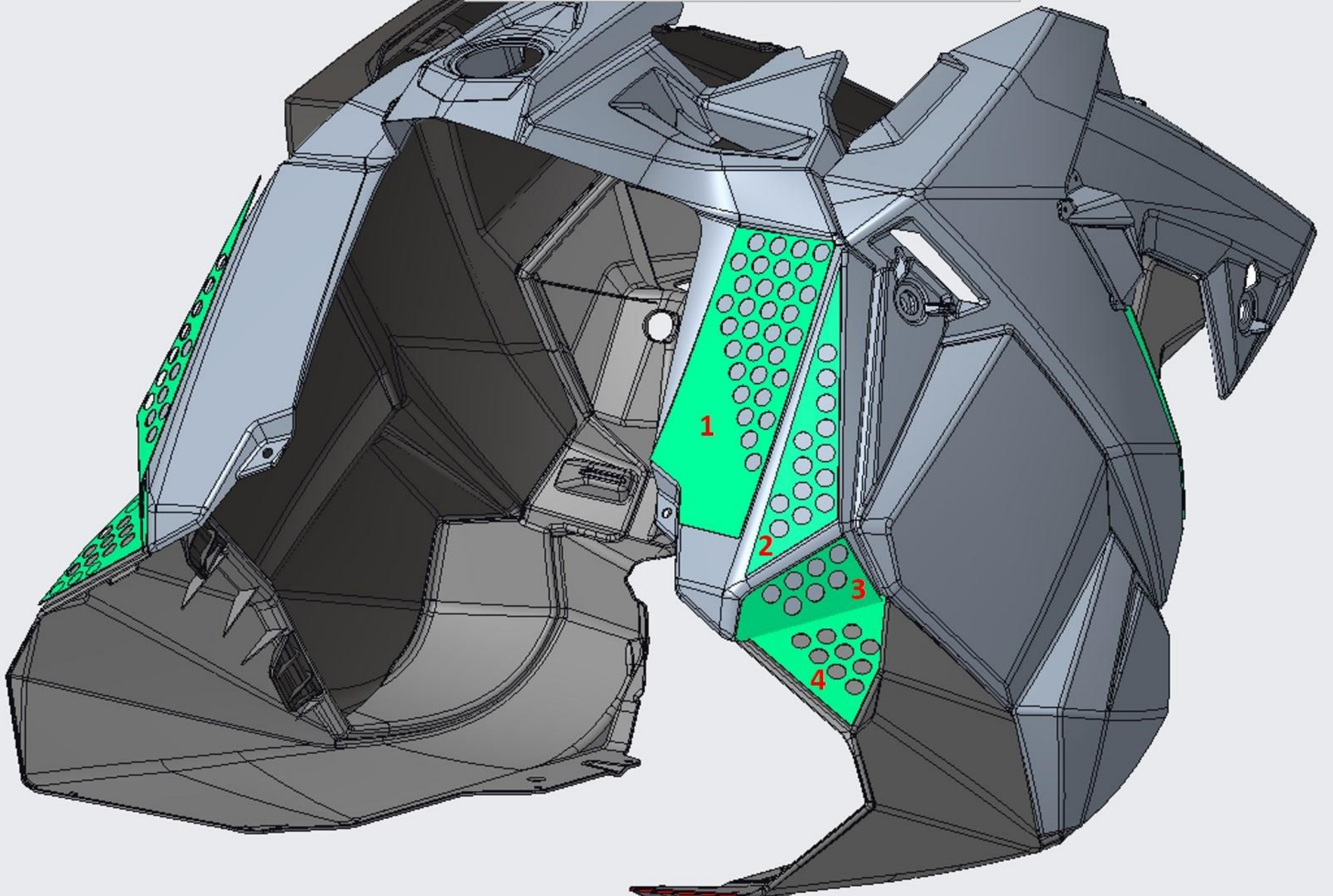
<https://snowmobiles.polaris.com/en-us/team-polaris/racer-resources/>

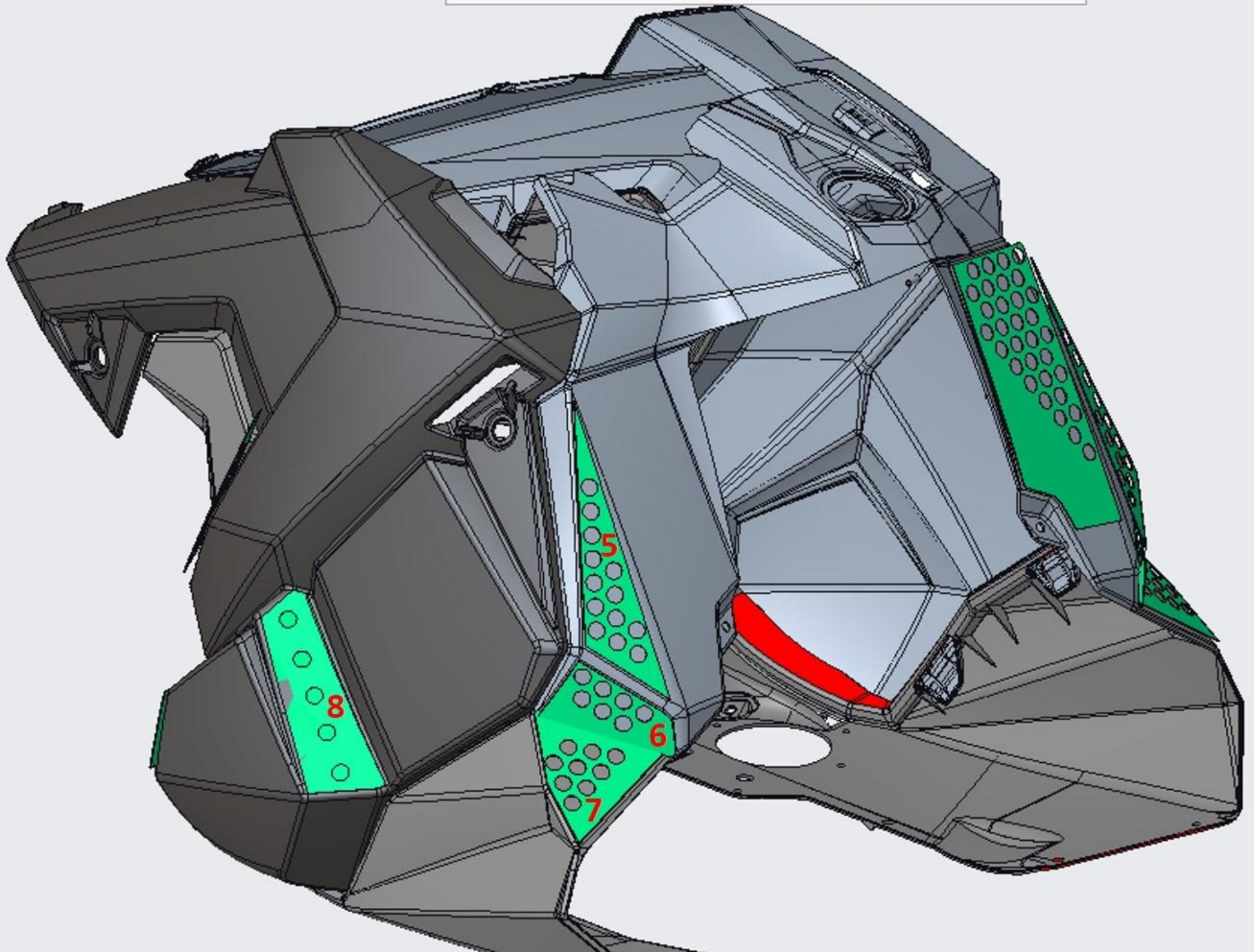
This is allowed in all Factory 600 classes for “Cross Country” racing

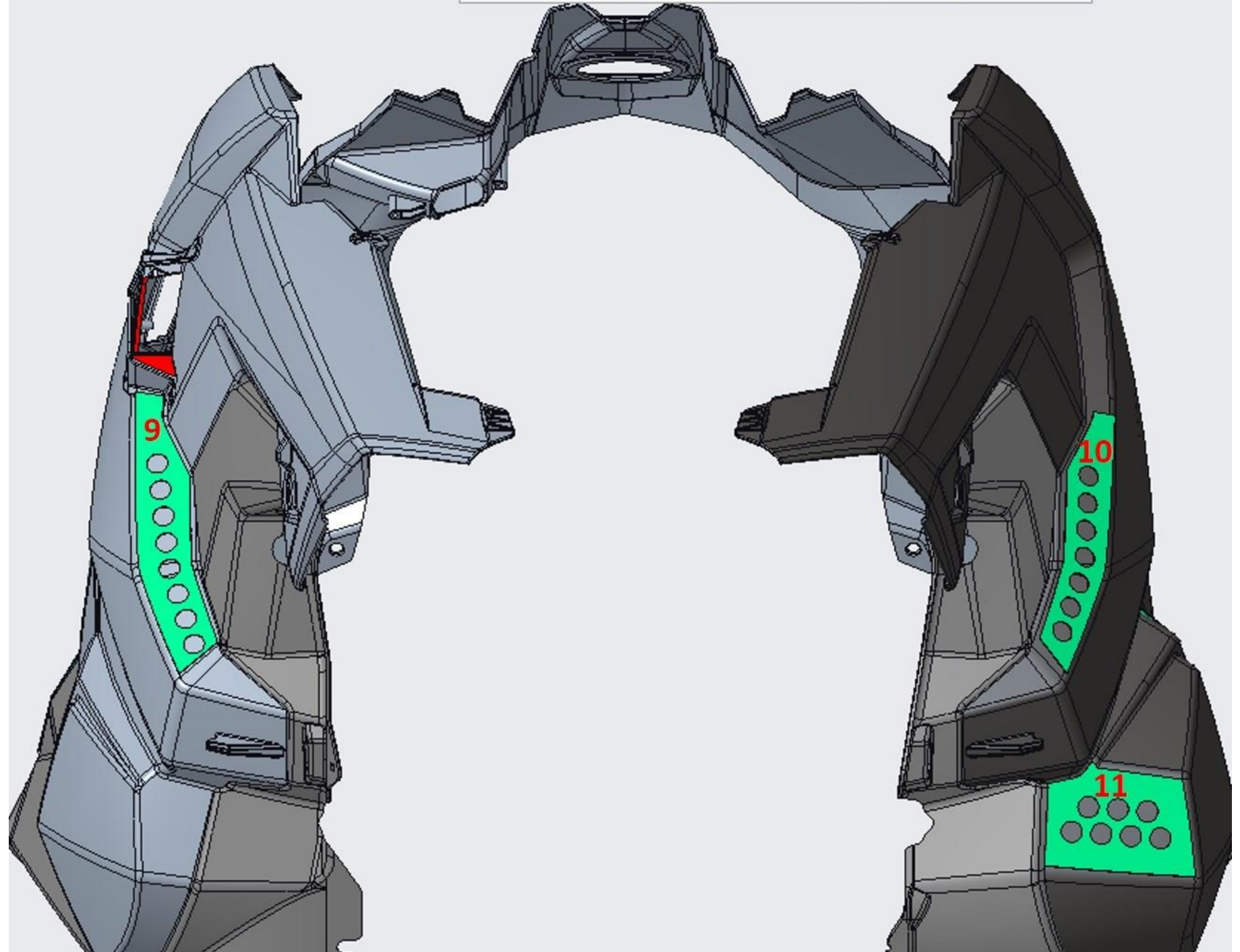
*the vent holes from templates #8, #10 and #11 need to have screen placed over them.

Order the below part numbers directly from www.frogzskin.com for this screen

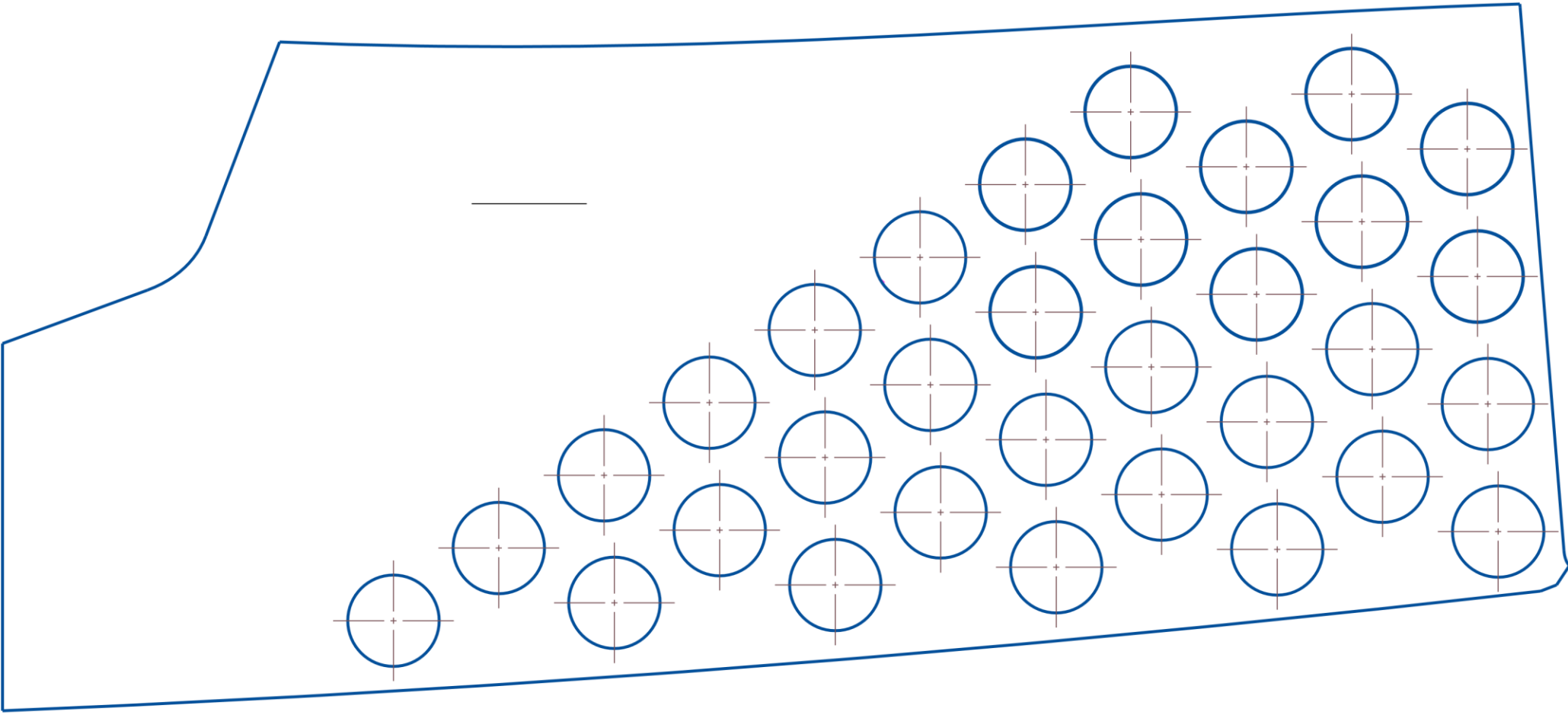
#F0354, #F0355, #F0356



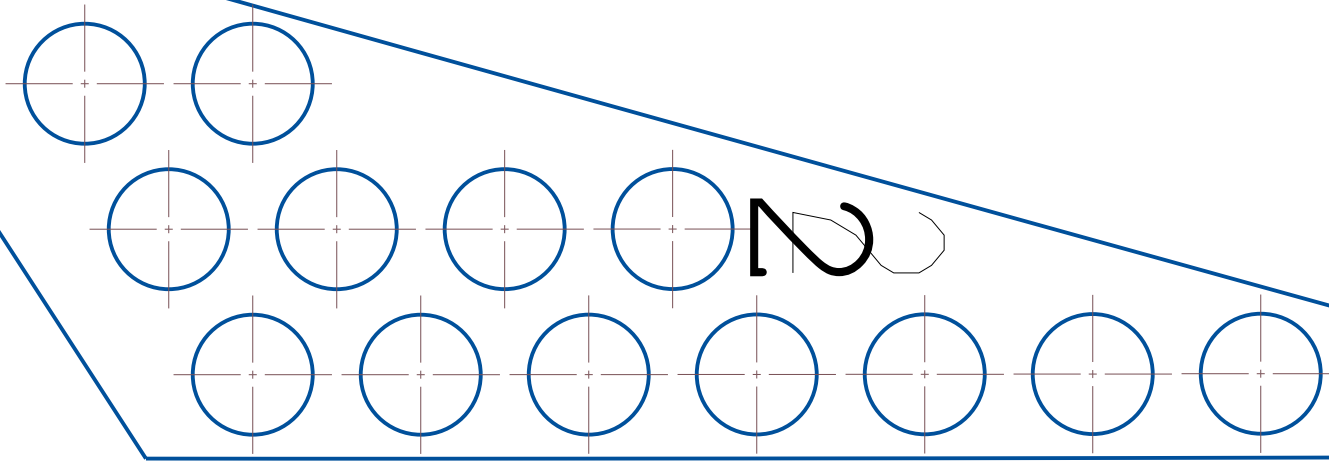




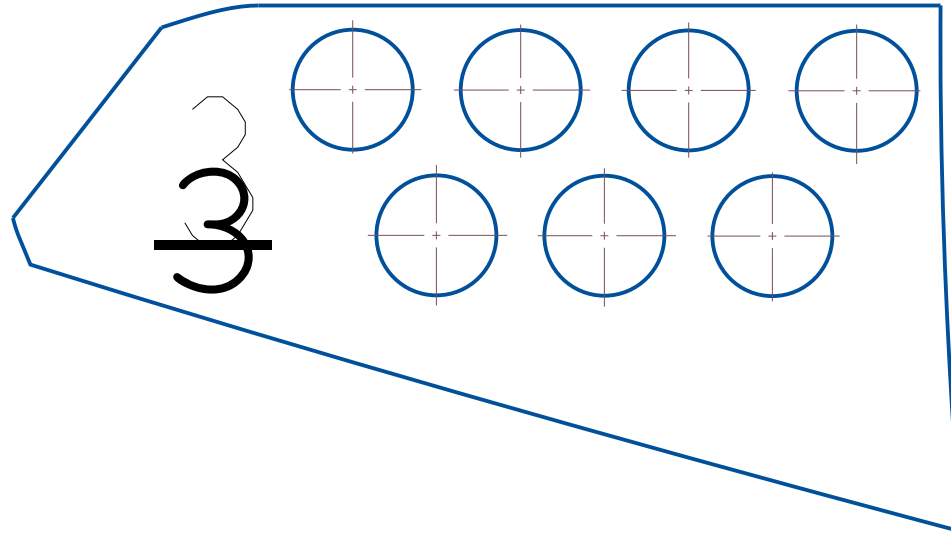
All holes are 5/8" diameter

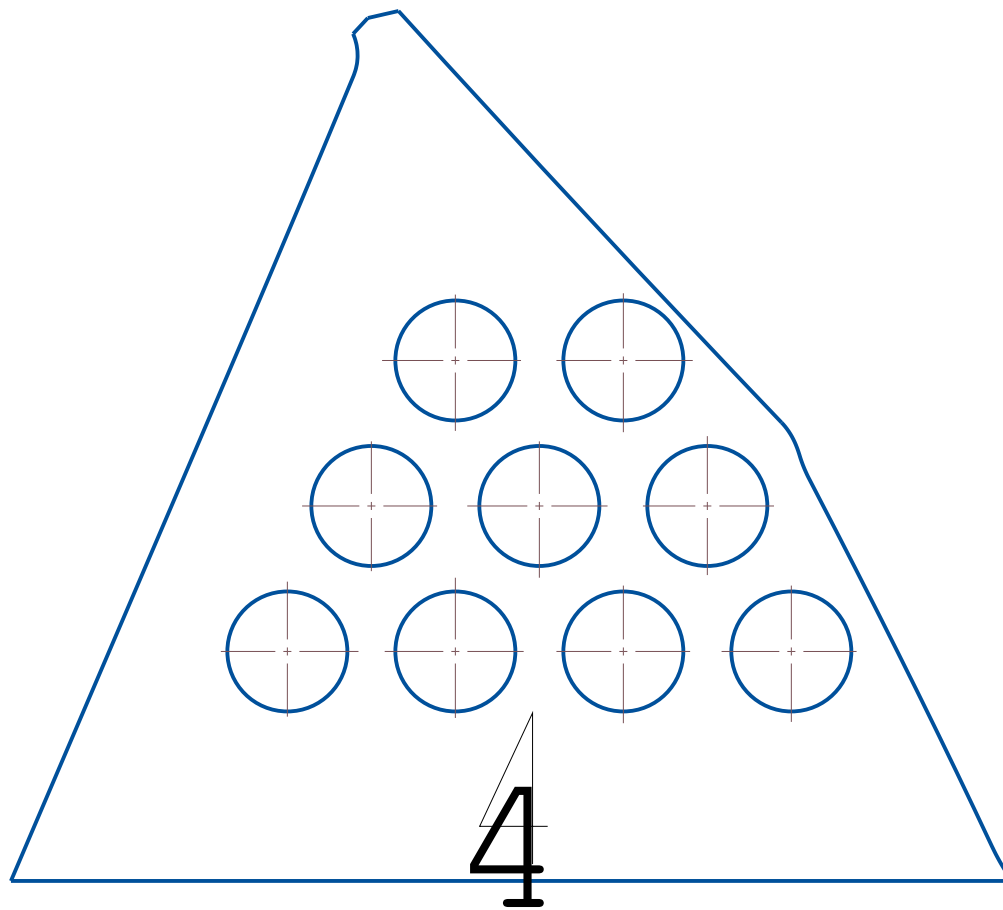


All holes are 5/8" diameter



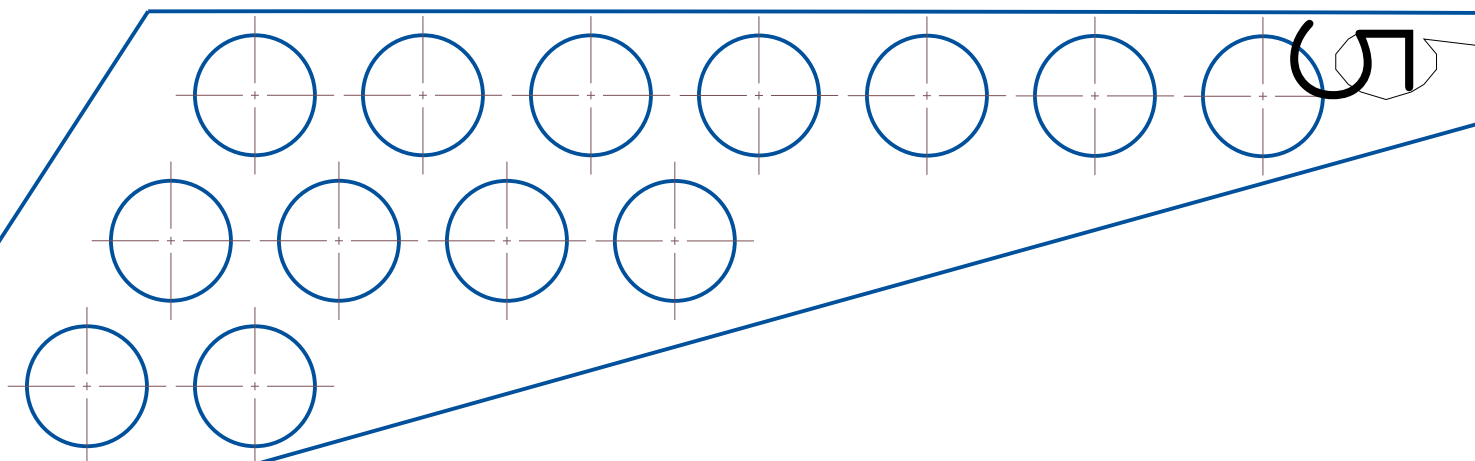
All holes are 5/8" diameter



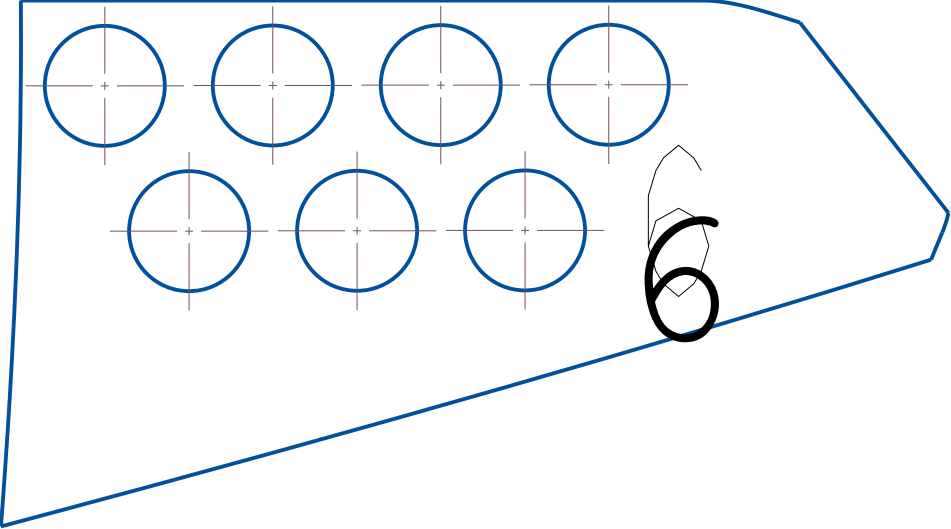


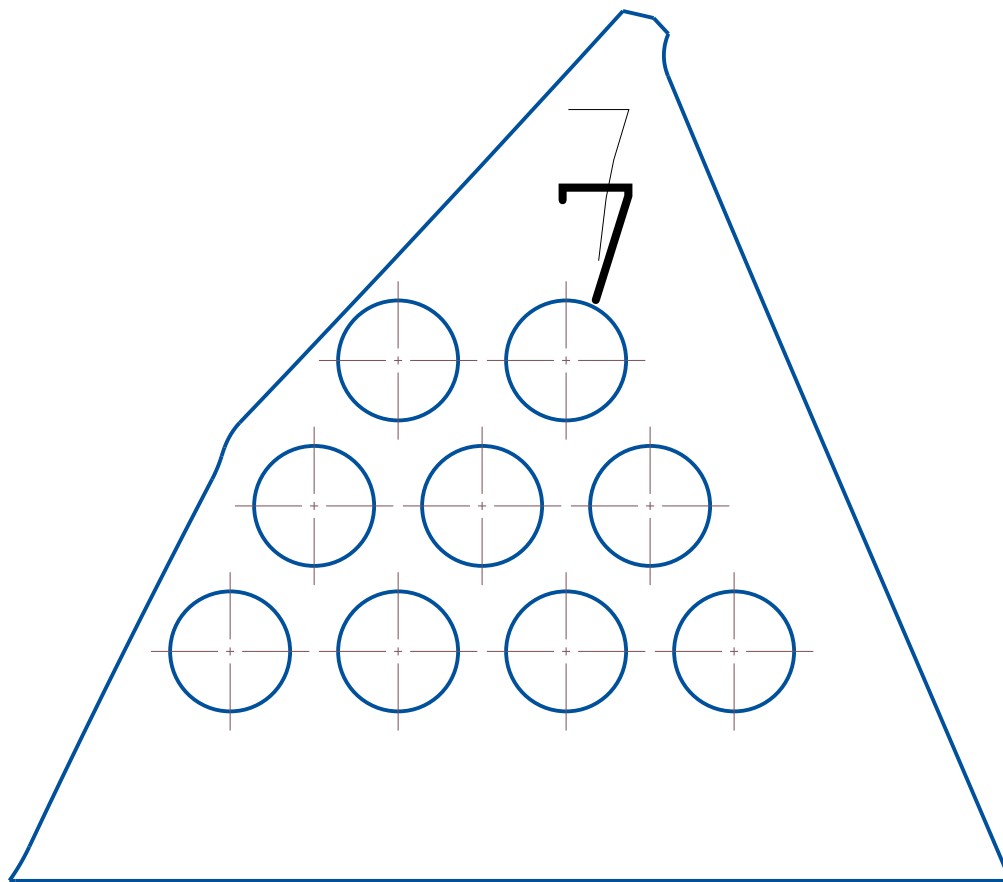
All holes are 5/8" diameter

All holes are 5/8" diameter

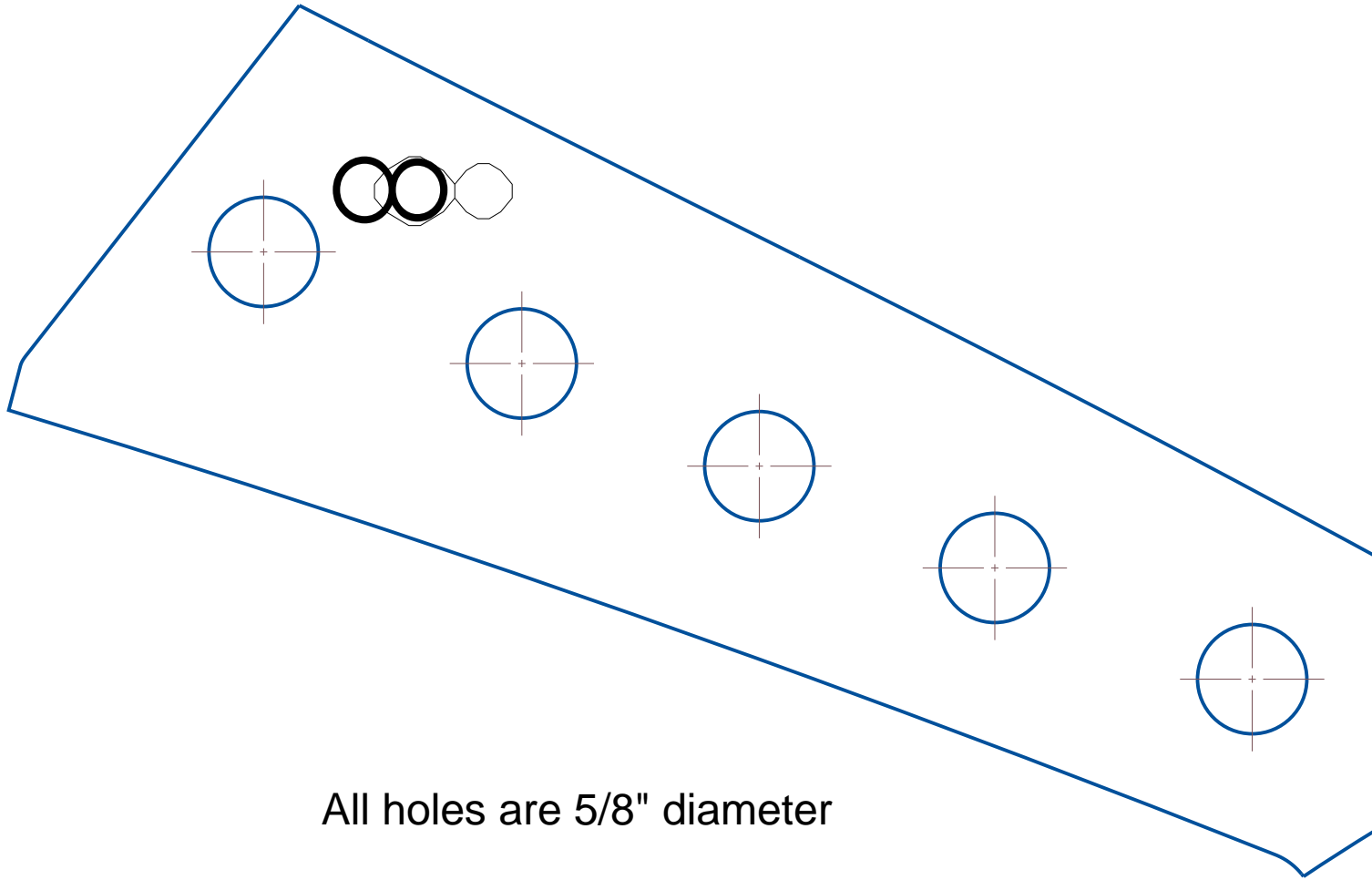


All holes are 5/8" diameter

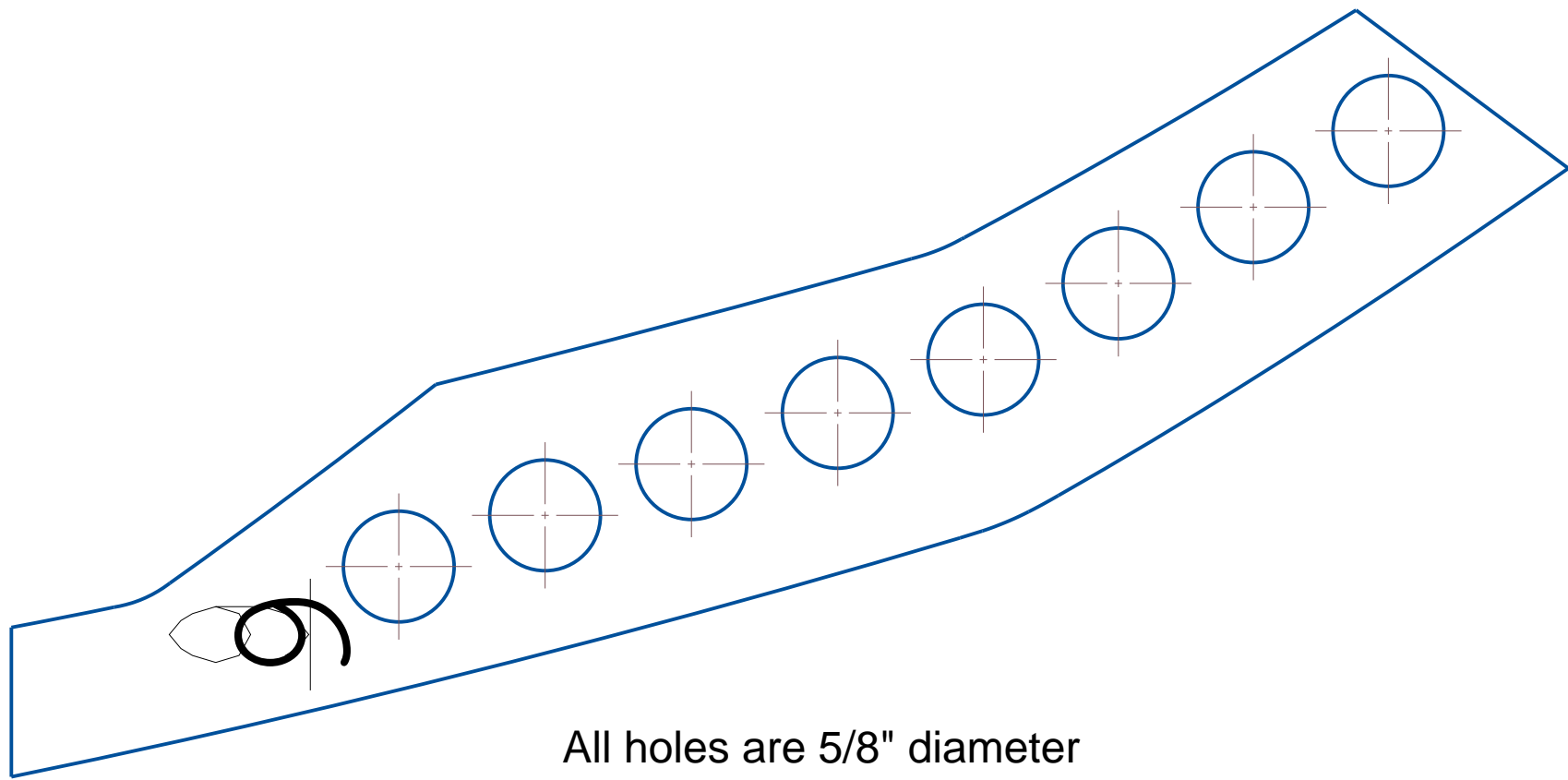




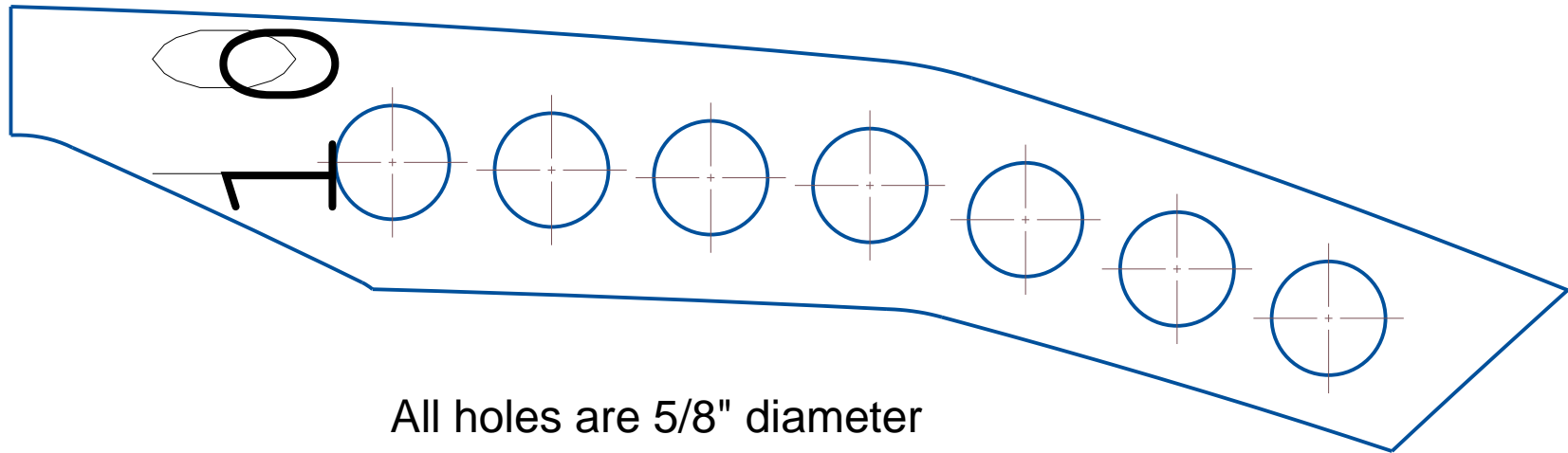
All holes are 5/8" diameter



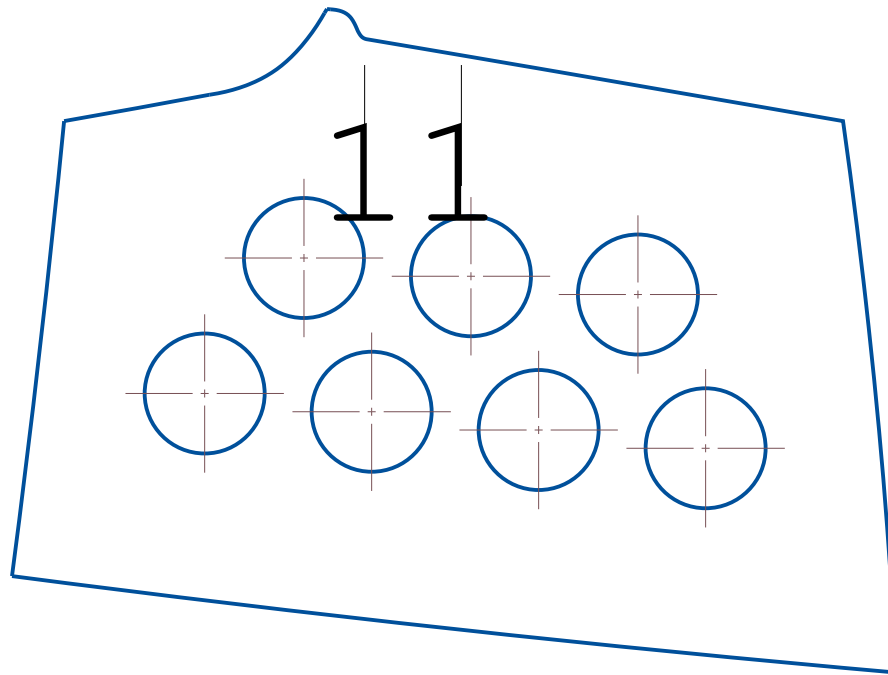
All holes are 5/8" diameter



All holes are 5/8" diameter



All holes are 5/8" diameter



All holes are 5/8" diameter